

All rights reserved by **CNH Industrial**.

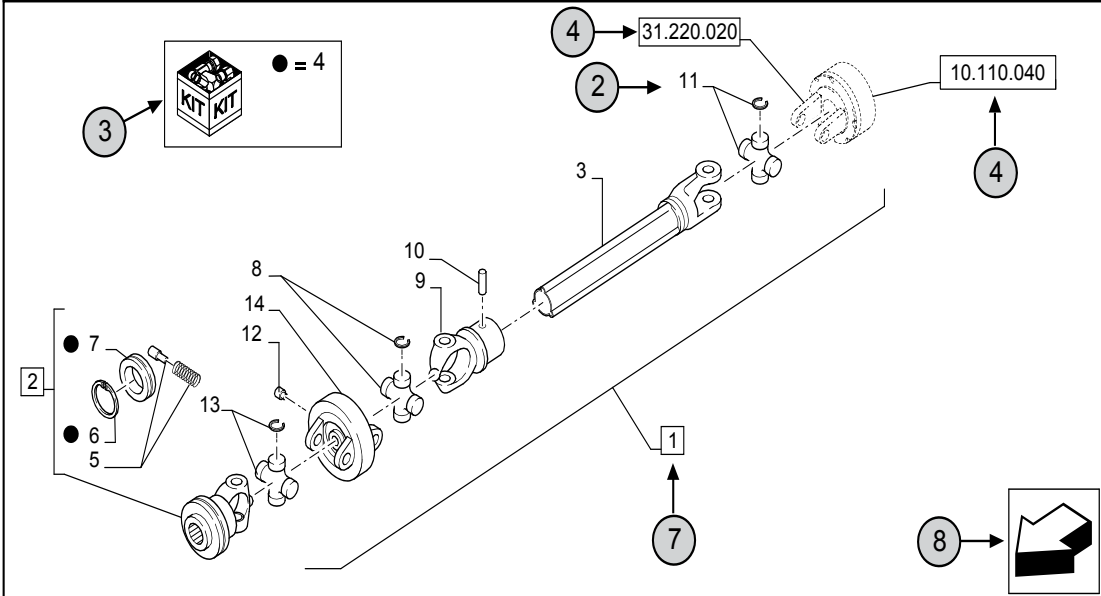
The information contained in this catalogue is intended to be of a general nature only. **CNH Industrial** may at any time and from time to time, for technical or other necessary reasons, modify any of the details or specifications of the product described in this catalogue.

To be sure of getting accurate, detailed and up-to-date information, an intending buyer should consult his nearest **CNH Industrial** dealer or distributor.

Single item numeration method used in this catalogue may not be used without written consent from **CNH Industrial**

31.220.010	01	p1	10/2014
------------	----	----	---------

VAR - 123782, 789101,987654 - PTO - D650



STANDARD ← 6

23	9	10	31.220.010	01	p1	10/2014
----	---	----	------------	----	----	---------

VAR - 123782, 789101,987654 - PTO - D650

11 12 13 14

REF	FN	PART NUMBER	YR/SN	QTY	DESCRIPTION
1	1	86529340	20	1	SHAFT PTO, Incl 2 - 11
2	15	84014007		1	YOKE, Incl 4 - 7 ← 7
3	16	NSS		1	NOT SERVICED SEPARATELY, SHAFT, 350mm, Incl in 1
4		84004292		1	KIT, Seal Kit, Incl 6, 7 ← 17
4		{84058743}		1	KIT, Seal Kit, Incl 6, 7
2	18			21	
	19			22	
		1 = FOR ITALY ONLY ← 5			

MODELS ← 1


- 1 Model Number and Model Description
- 2 Reference - Figure call-out of the part number.
- 3 Parts supplied in repair kits per symbol reference.
- 4 31.220.020 Part illustrated on the **Page** or in the **Figure** indicated, or calls for **Variations** or **Details**. Indicates components shown in detail elsewhere in the catalogue under the figure number shown.
- 5 Footnote references
- 6 Figure notes
- 7 1 2 Includes item(s) (See Description within partlist).
- 8 Orientation. (Arrow indicates front of the machine). 
- 9 Figure description.
- 10 General information of the figure.
- 11 Figure title number that aligns with the SRT. Standard Repair Time.
- 12 **Sequence** code within the assembly.
- 13 Page number within the sequence code.
- 14 **Date** of printing or updating of page (month-year).
- 15 **Note** - Relating to the Part Number. There is a key to symbols and abbreviations at the bottom of the text page.
- 16 Non-serviced parts.
- 17 Further description of the part to help confirm identification.
- 18 Not available as service part.
- 19 Part Number.
- 20 To be defined.
- 21 Total **Quantity** of the Part referred to in the page.
The quantity can be replaced by the following indications:
AR = quantity as requested.
- 22 Part **Description**.
- 23 Variant Codes

TABLE OF CONTENTS

05.100.03	01	FILTER & CAPACITIES, 445
06A01		CYLINDER BLOCK, HEAD & RELATED PARTS, GASOLINE
06A02		CYLINDER BLOCK, HEAD & RELATED PARTS, DIESEL
06A03		KIT, STEPPED STUD ENGINE BLOCK (12-86/)
06B01		CRANKSHAFT, FLYWHEEL & RELATED PARTS
06C01		CAMSHAFT, ROCKER ARM, VALVES & RELATED PARTS
06D01		PISTONS & CONNECTING RODS, GASOLINE
06D02		PISTONS & CONNECTING RODS, DIESEL
06E01		OIL PUMP & OIL PAN, SUMP
06F01		MANIFOLD & EXHAUST SYSTEM, GASOLINE
06F02		MANIFOLD & EXHAUST SYSTEM, DIESEL
06G01		DISTRIBUTOR DRIVE & GOVERNOR ASSEMBLY
06H01		ENGINE GASKET KITS, 3-CYLINDER
09A01		FUEL SYSTEM, DIESEL
09A02		FUEL SYSTEM, GASOLINE
09B01		SINGLE FUEL FILTER
09B02		DUAL FUEL FILTER ASSEMBLY
09B03		FUEL SEDIMENTER & FILTER ASSEMBLY
09C01		FUEL INJECTION PUMP
09D01		FUEL INJECTOR ASSEMBLY
09E01		CARBURETOR ASSEMBLY, HOLLEY
09E02		CARBURETOR ASSEMBLY, ZENITH
09F01		FUEL PUMP ASSEMBLY - GASOLINE
09G01		FUEL FILTER KIT, GASOLINE
09H01		DIESEL COLD START
09J01		ENGINE PRIMER, ETHER, DIESEL
09K01		AIR CLEANER, DRY TYPE, GASOLINE
09K03		AIR CLEANER, DRY TYPE, DIESEL
09L01		THROTTLE CONTROLS, GASOLINE
09L02		THROTTLE & FOOT THROTTLE CONTROLS
07A01		MANUAL REVERSING TRANSMISSION CASE & SHIFT LEVER, 6X4
07A02		MANUAL REVERSING TRANSMISSION GEARS & RELATED PARTS, 6X4
07B01		TORQUE CONVERTER 4X4 POWER REVERSE TRANSMISSION CASE & SHIFT LEVER, NON-SYNCROMESH (78/5-85)
07B03		TORQUE CONVERTER OIL DISTRIBUTOR & OIL PUMP 4X4 POWER REVERSE TRANSMISSION
07B04		TORQUE CONVERTER TRANSMISSION CLUTCH & GEARS (78/5-85)
07B06		TORQUE CONVERTER, TRANSMISSION, CONTROL LEVER (78/3- 3-83)

TABLE OF CONTENTS

07B07	TORQUE CONVERTER, TRANSMISSION, CONTROL LEVER (4-83/)
07B09	TORQUE CONVERTER, TRANSMISSION, FILTER & COOLER TUBES (78/) 445A, 545A (3-81/) 340A, B, 540A
07C01	8-SPEED TRANSMISSION CASE, SHIFT LEVERS & RELATED PARTS (78/81)
07C02	8-SPEED TRANSMISSION CASE & SHIFT LEVERS (82/)
07C03	8-SPEED TRANSMISSION GEARS & RELATED PARTS (78/81)
07C04	8-SPEED TRANSMISSION GEARS (82/-)
07D01	TRANSMISSION PTO ASSEMBLY, 8 SPEED & MANUAL REVERSING
07D02	IPTO ASSEMBLY, 8-SPEED & MANUAL REVERSING
07E01	PTO GUARD KIT, ACCESSORY
07F01	CLUTCH CONTROLS
07F02	13" SINGLE CLUTCH ASSEMBLY
08A01	RADIATORS & RELATED PARTS
08B01	WATER PUMP & RELATED PARTS
04A01	REAR AXLE, DIFFERENTIAL
04A02	REAR AXLE, FWD
04B01	DIFFERENTIAL LOCK LINKAGE
04C01	CENTER HOUSING & RELATED PARTS
02A01	BRAKES & BRAKE CONTROLS
02B01	HANDBRAKE, TRANSMISSION
02B02	HANDBRAKE LEVER, TWIN CABLE (3-85/)
11A01L	L.H. ELECTRICAL SYSTEM
11A01R	RH ELECTRICAL SYSTEM
11A02	FENDER WIRING, W/BACKHOE, L/ROPS
11A03	FENDER WIRING, W/BACKHOE, W/ROPS
11B01	HEAD LAMP ASSEMBLY, FRONT MOUNTED
11B02	HEADLAMP ASSEMBLY, FENDER MOUNTED
11C01	REAR LAMPS
11C02	LAMP ASSEMBLY, EMERGENCY WARNING
11C03	FLASHER LAMPS & TURN SIGNAL
11C04	IMPLEMENT LAMP ASSEMBLY
11C05	LAMP ASSEMBLY, PLOUGH
11D01	BATTERY & BATTERY SUPPORT ASSEMBLY, DIESEL
11D02	BATTERY & BATTERY SUPPORT, GASOLINE
11E01	STARTING MOTOR & RELATED PARTS, GASOLINE
11E02	STARTING MOTOR & RELATED PARTS, DIESEL, 5.0"
11E03	STARTING MOTOR & RELATED PARTS, DIESEL, 4-1/2" DIAMETER

TABLE OF CONTENTS

11E04	STARTING MOTOR ASSEMBLY, DIESEL, 5.0" DIAMETER
11F01	ALTERNATOR ASSEMBLY
11G01	DISTRIBUTOR & RELATED PARTS, GASOLINE
11G02	DISTRIBUTOR & RELATED PARTS (65/)
11H01	HORN ACCESSORY (10-78/10-85)
03A02	FRONT AXLE, STEERING, 445, 445A, 450, 545, 545A (78/); 340, 340A, 340B, 540, 540A, 540B (4-81/)
03B02	STEERING COLUMN, 445, 445A, 450, 545 & 545A (78/); 340, 340A, 340B, 540, 540A & 540B (4-81/)
03C01	PUMP & RESERVOIR, POWER STEERING
03D01	STEERING CYLINDER ASSEMBLY, TRW & CESSNA, (78/) 445A THRU 545A; (4-81/) 340A, 340B, 540A, 540B
03D02	POWER STEERING CYLINDER, CASCADE
03F01	FRONT AXLE, FWD (710-19)
03F02	DIFFERENTIAL BOX , FWD (710-19)
03F03	BEVEL GEAR & PINION SET, FWD (710-19)
03F04	REDUCTION GEARS, FWD (710-19)
03F05	STEERING ARMS & TIE ROD, FWD (710-19)
03F06	DRIVE SHAFTS, FWD (710-19)
03F07	DRIVE SHAFT & SHIELDS, FWD (710-19)
03F08	GEAR BOX ASSEMBLY, FWD (710-19)
03F09	FRONT SUPPORT, FWD (710-19)
03F10	TRANSFER CASE, FWD (710-19)
05A01	HYDRAULIC LIFT COVER & RELATED PARTS
05A02	HYDRAULIC LIFT SHAFT & RELATED PARTS
05A03	HYDRAULIC LIFT CYLINDER & RELATED PARTS
05B01	HYDRAULIC SYSTEM & RELATED PARTS
05B02	FLOW CONTROL VALVE ASSEMBLIES
05C01	HYDRAULIC LIFT LINKAGE
05D01	STABILIZER KIT
05D02	STABILIZER KIT, ACCESSORY
05E01	SWINGING DRAWBAR, HANGER & RELATED PARTS
05F01	HYDRAULIC REMOTE CONTROL VALVES, SINGLE SPOOL
05F02	DOUBLE ACTING REMOTE CYLINDER COUPLING KITS
10A01	HYDRAULIC PUMP ASSEMBLY, ENGINE MOUNTED, PISTON TYPE (78/4-83) - 340A, 445, 540A, 545
10A02	HYDRAULIC PUMP ASSEMBLY, ENGINE MOUNTED, GEAR TYPE (5-83/) - 340A, 340B, 445A, 540A, 540B, 545A
10B01	HYDRAULIC PUMP ASSEMBLY, MTD IN CNTR HSG, GEAR TYPE - 340,340A,340B,445,445A,540,540A,540B,545,545A
10C02	HYDRAULIC PUMP ASSEMBLY, GEAR TYPE (78/1-83) - 340A, 445, 540A

TABLE OF CONTENTS

10C03	HYDRAULIC PUMP ASSEMBLY, GEAR TYPE (2-83/) - 340A, 340B, 445A, 540A, 540B, 545A
14A01	CROWN FENDERS & PLATFORM - 340A, 340B, 420, 515, 445, 445A, 540A, 540B, 545, 545A
14A02	FLAT TOP FENDERS & PLATFORM, NHNA - 340A, 340B, 445A, 540A, 540B, 545A
14B02	ENGINE HOOD & GRILLE - 445, 445A, 450, 545, 545A
14C01	REFLECTORS
01A01	WHEEL ASSEMBLY, FRONT
01B01	WHEEL ASSEMBLY, REAR, STANDARD
01C01	WEIGHTS, FRONT, LOADER
01C02	WEIGHTS, FRONT
01D02	WEIGHTS, FRONT WHEEL
01E01	WEIGHTS, 24" REAR WHEEL
01E02	WEIGHTS, 24" REAR WHEEL, 85 LB.
01E03	WEIGHTS, 28" REAR WHEEL
12A01	INSTRUMENT CLUSTER & RELATED PARTS
12B01	TRANSMISSION OIL TEMPERATURE WARNING LAMP
16A01	IDENTIFICATION DECALS
16B01	DECALS, TRACTOR
16B02	DECALS, TRACTOR
16C01	SHIFT PATTERN DECALS
16D01	DECAL, LOADER
16E01	DECALS, BACKHOE
16E02	DECALS, BACKHOE
16F01	INSTRUCTION & SAFETY DECALS
16F02	DECAL KITS, QUEBEC
15A01	RAIL ASSEMBLY, ATTACHING PARTS - 340, 445, 540, 545
15A01A	SEAT BELT KITS, NHNA, 340, 445, 540 & 545
13A01	DELUXE SEAT ASSEMBLY - 340A, 340B, 445A, 540A, 540B, 545A
13A02	SEAT, REVERSIBLE - 340A, 340B, 445A, 450, 445A, 545A
13A03	SEAT ASSEMBLY, INDUSTRIAL DELUXE - 340A, 340B, 445A, 540A, 540B, 545A
17A01	PAINTS
17B01	LUBRICANTS, LUBRICATION EQUIPMENT
17C01	ENGINE COOLANT HEATER KITS, ACCESSORY
17D01	SLOW MOVING VEHICLE EMBLEM
17D01A	RADIO, PUSHBUTTON
17E01	MIRROR ASSEMBLY, REAR VIEW, L/CAB, DIA
18A02	LOADER LIFT ASSEMBLY - 445, 445A, 450, 545A, 19-854, 19-855, 19-856, 19-857, 19-858

TABLE OF CONTENTS

18A03		SWITCH, RETURN TO DIG
18B02		HYDRAULIC CONTROLS, LINES & HOSES, 445A, 450, 545A, 19-854, 19-855, 19-856, 19-857 & 19-858
18B03		FILTER & BY-PASS ASSEMBLY
18C03		CYLINDER ASSEMBLY, BUCKET, 3500, 4500 LB.
18C06		CYLINDER, LIFT, 3500 LB. & 4500 LB., 19-854, 19-855, 19-856, 19-857, 19-858
18D02		CONTROL VALVE - 3500 LB., 4500 LB. - 19-854, 19-856, 19-858
18D03		RELIEF VALVE - 19-854, 19-855, 19-856, 19-857, 19-858
18D05		HYDRAULIC PUMP & DRIVE KITS
18E01		COUNTERWEIGHT, BOX - 19-911
18E02		COUNTERWEIGHT, REAR - 19-916
18F01		BUCKETS & FORKS
20A01		MAIN FRAME & RELATED PARTS, CENTER PIVOT BACKHOE
20A02		RAIL ASSEMBLY & ATTACHING PARTS - 19-868
20B01		SWING POST & RELATED PARTS
20C01		CONTROL PARTS, 2 LEVER
20C02		CONTROL PARTS, 4 LEVER
20C03		CONTROL CONVERSION, 4 LEVER TO 2 LEVER
20C04		CONTROL CONVERSION, 2 LEVER TO 4 LEVER
20D01		SHROUD ASSEMBLY & RELATED PARTS, 2 LEVER
20D02		SHROUD ASSEMBLY & RELATED PARTS, 4 LEVER
20E01		HYDRAULIC CONTROL LINES
20F01		HOSES & RELATED PARTS, 2-LEVER
20F02		HOSES & RELATED PARTS, 4-LEVER
20G01	L	BOOM & DIPSTICK ASSEMBLIES & RELATED PARTS
20G01	R	BOOM & DIPSTICK ASSEMBLIES & RELATED PARTS
20G02		BOOM TRANSPORT LOCK, 14 FT. - 445A, 545A
20H01		LIFT CYLINDER ASSEMBLY
20H02		CROWD CYLINDER ASSEMBLY
20H03		BUCKET CYLINDER ASSEMBLY
20H04		STABILIZER CYLINDER ASSEMBLY, CENTER PIVOT
20H05		CYLINDER ASSEMBLY, SWING (78/8-82)
20H06		CYLINDER ASSEMBLY, SWING (9-82/)
20J01		CONTROL VALVE, 2 LEVER
20J02		CONTROL VALVE, 4 LEVER
20K01		REMOTE THROTTLE
20L03		SUBFRAME, 445, 450, 545, 19-889 & 19-890

TABLE OF CONTENTS

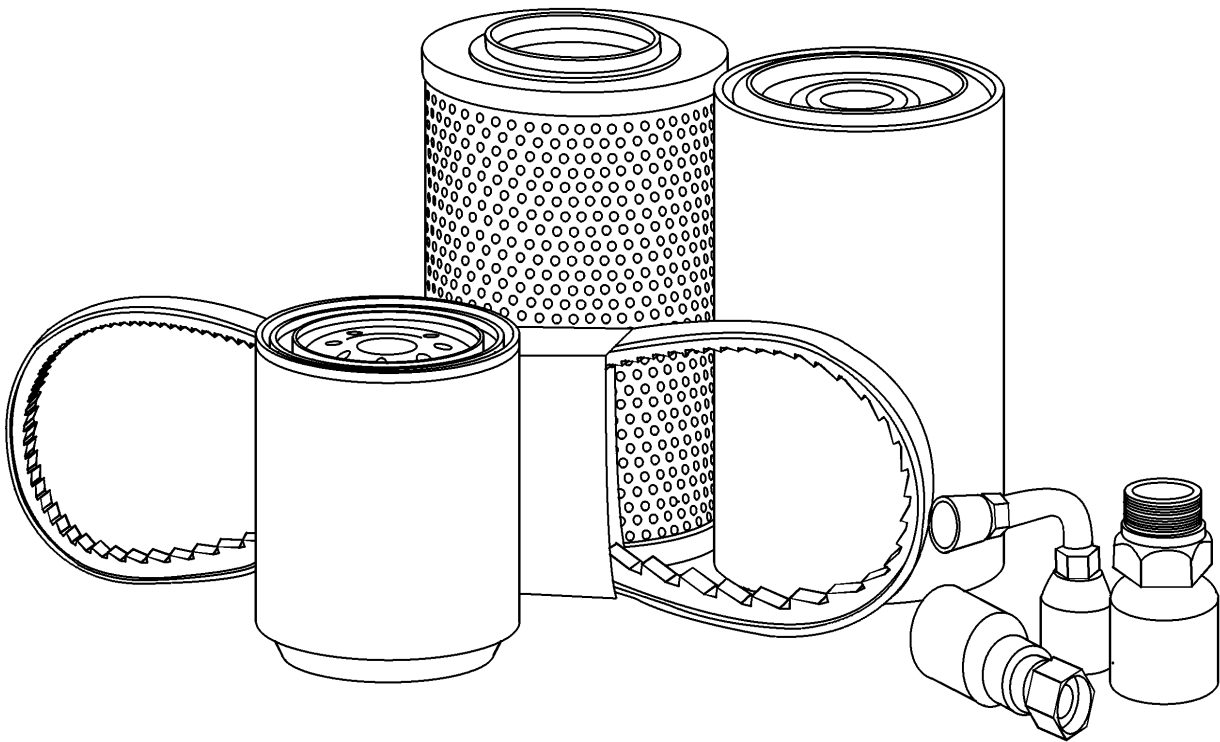
20m01	01	KIT SEALS
20N01		STABILIZER PADS - 19-809, 19-810, 19-811, 19-865
20P01		BUCKETS, NHNA - 19-812, 19-813, 19-814, 19-815, 19-817, 19-864
20P02		BUCKETS, NHNA - 19-586, 19-587, 19-818, 19-819, 19-821, 19-823, 19-824, 19-864
20Q01		SEAT ASSEMBLY - 340A, 340B, 445A, 540A, 540B, 545A, 19-917

SECTION INDEX

GENERAL

05.100.03 01 FILTER & CAPACITIES, 445

FILTER & CAPACITIES, 445



FILTER & CAPACITIES, 445

REF FN	PART NUMBER	YR/SN	QTY DESCRIPTION
*	CNH XHD COOLANT		ANTIFREEZE Coolant, 2.75-Gal (10.4L)
1	C5NN6714B		1 FILTER Engine Oil
2	E7NN6714AA		1 ENGINE OIL FILTER
3	86546614		1 ENGINE OIL FILTER
4	86546606		1 ENGINE OIL FILTER
*	M-GOLD SAE15W40		OIL Engine, 15W40, W/ Filter, 7-QT (6.6L)
*	M-GOLD SAE15W40		OIL Engine, W/O Filter, 6-QT (5.7L)
5	E6NN9B618AB		1 AIR FILTER Primary, Gas
6	E6NN9R500DA		1 AIR FILTER Secondary, Gas
7	D5NN9601A		1 ELEMENT Primary, Diesel
8	D6NN9R500A		1 AIR FILTER 60.4mm ID x 74.7mm OD x 252.4mm L Secondary, Diesel
9	313536		1 COVER Pre Cleaner
10	D8NNB486CA		1 HYDRAULIC OIL FILTER Transmission Mounted Pump
11	D8NNB486EA		1 FILTER Engine Mounted Pump
12	86546604		1 FILTER Loader Hydraulics
13	D8NNB951AE		1 FILTER Hydraulic
*	MULTI G 134		OIL Hydraulic, Multi G 134, W/ LDR, 9-Gal (34.1L)
*	MULTI G 134		OIL Hydraulic, W/ LDR-BH, 22-Gal (83.3L)
*	MULTI G 134		OIL Transmission, Multi G 134, W/ 6X4 & 8X2, 3.2-Gal (12L)
*	MULTI G 134		OIL Transmission, W/ 4X4, Power Reverse, 4.8-Gal (18.2L)
14	83937061		1 FUEL FILTER
15	86546606		1 ENGINE OIL FILTER Torque Converter
16	EDPN3K758A		1 ELEMENT Power Steering
*	MULTI G 134		OIL Power Steering, Multi G 134, 3-QT (2.8L)
*	MULTI G 134		OIL Rear Axle, Multi G 134, W/o IPTO, 8.5-Gal (32.2L)
*	MULTI G 134		OIL Rear Axle, Add, For IPTO, 3.8-Gal (14.4L)

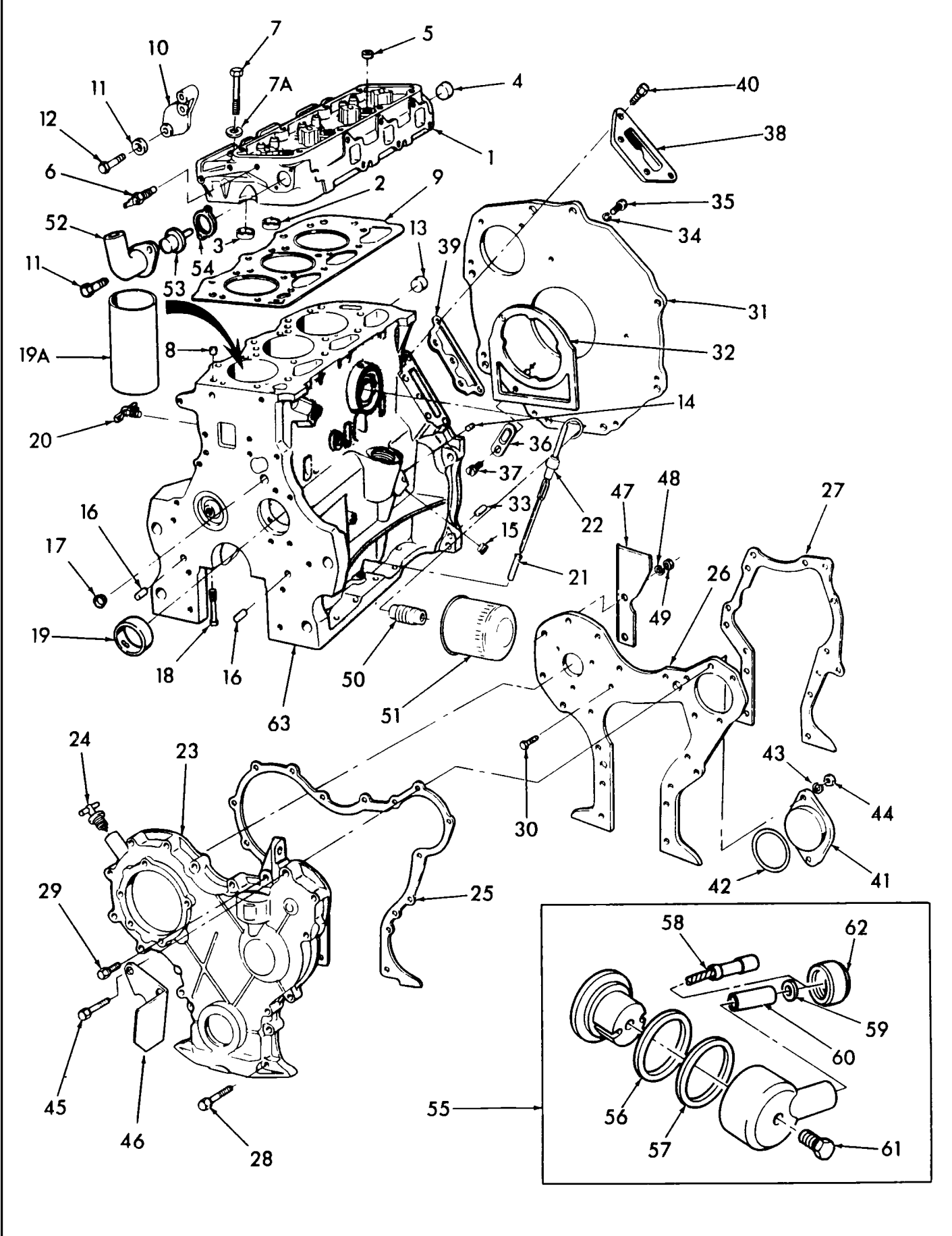
445-3 CYL UTILITY TRACTOR

SECTION INDEX

ENGINE

06A01	CYLINDER BLOCK, HEAD & RELATED PARTS, GASOLINE
06A02	CYLINDER BLOCK, HEAD & RELATED PARTS, DIESEL
06A03	KIT, STEPPED STUD ENGINE BLOCK (12-86/)
06B01	CRANKSHAFT, FLYWHEEL & RELATED PARTS
06C01	CAMSHAFT, ROCKER ARM, VALVES & RELATED PARTS
06D01	PISTONS & CONNECTING RODS, GASOLINE
06D02	PISTONS & CONNECTING RODS, DIESEL
06E01	OIL PUMP & OIL PAN, SUMP
06F01	MANIFOLD & EXHAUST SYSTEM, GASOLINE
06F02	MANIFOLD & EXHAUST SYSTEM, DIESEL
06G01	DISTRIBUTOR DRIVE & GOVERNOR ASSEMBLY
06H01	ENGINE GASKET KITS, 3-CYLINDER

CYLINDER BLOCK, HEAD & RELATED PARTS, GASOLINE

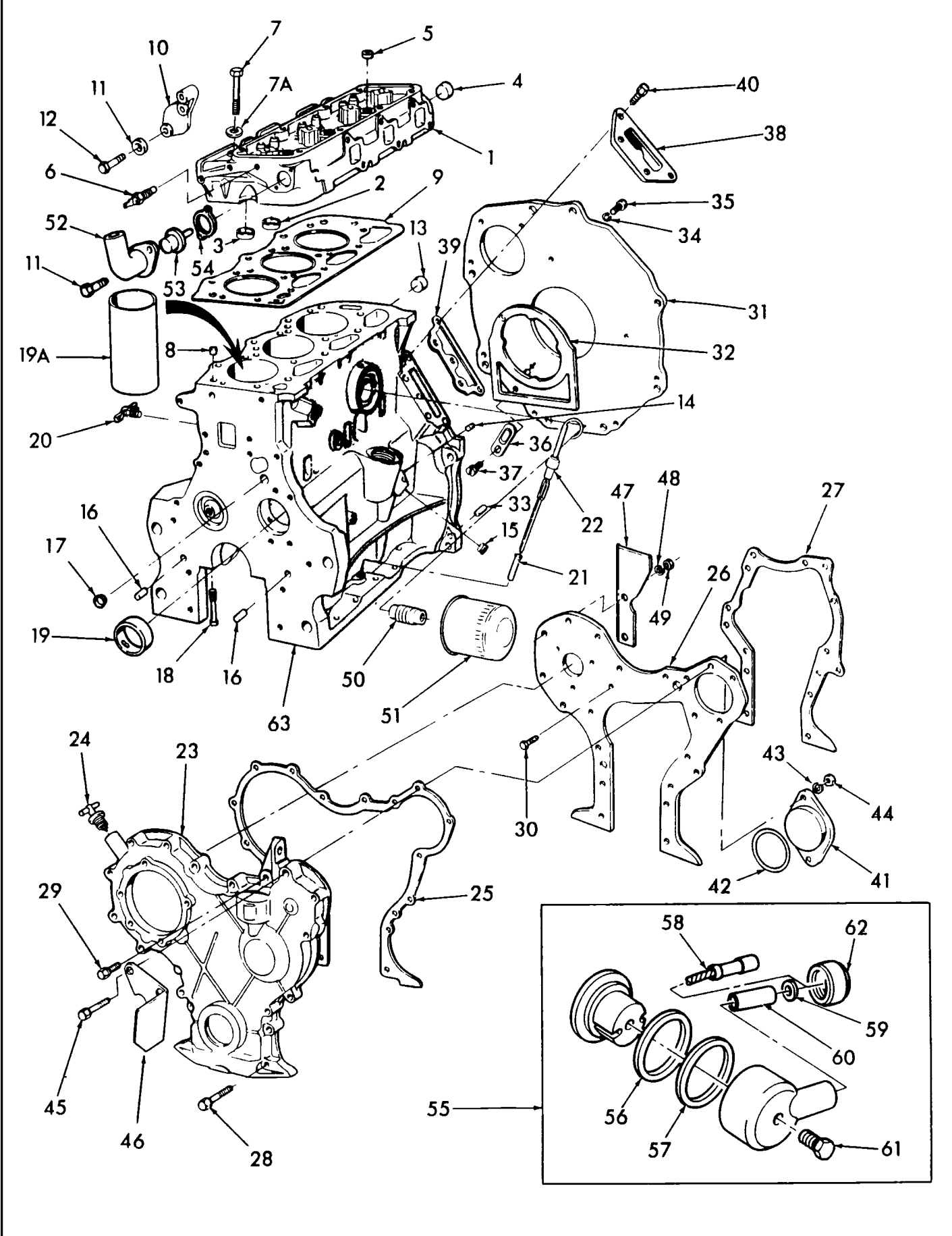


CYLINDER BLOCK, HEAD & RELATED PARTS, GASOLINE

REF FN	PART NUMBER	YR/SN	QTY DESCRIPTION
	D5NN6009A		1 SHORT ENGINE Short Block, Gas, 545
	E6NN6009AYA		1 SHORT ENGINE Short Block, Gas, 340A, 445
1	E4NN6049CC		1 CYLINDER HEAD Head, Cylinder, Includes: Ref. 2 thru 5
2	C5NE6056A		1 INSERT Intake Valve, Standard
2	C5NE6056C		AR INSERT Intake Valve, .010" (.254mm) O/S
2	C5NE6056B		AR INSERT Intake Valve, .020" (.508mm) O/S
2	C5NN6056A		AR INSERT Intake Valve, .030" (.762mm) O/S
3	83909432		3 VALVE SEAT Insert, Exhaust Valve, Standard
3	D4NN6057B		AR INSERT Exhaust Valve, .010" (.254mm) O/S
3	D4NN6057C		AR INSERT Exhaust Valve, .020" (.508mm) O/S
3	87800559		AR INSERT Exhaust Valve, .030" (.762mm) O/S
4	83957025		2 PLUG 1.75" (44.5mm)
4	383442S		AR PLUG s, .931" (23.65mm)
4	83957026		AR PLUG s, 1.81" (46mm)
4	83957022		AR PLUG s, 1.18" (30mm)
5	380391S		3 PLUG s, .876" (22.25mm)
6	C4AH10884A		1 SENDER UNIT Sender
6	D5NN10884A		1 SENDER UNIT Sender
6	9712608		1 TEMPERATURE SENDER 3/8" - 18 Sender, Water Temperature Indicator
7	83907721		10/13 BOLT 1/2"-13 x 4-3/4" (Replaces D5NN6065C)
7A	377490S		10/13 WASHER 13.46mm ID x 26.98mm OD x 4.32mm Thk Flat, 1/2"
8	83960218		2 BUSHING 15.16mm ID x 17.21mm OD x 11.2mm L Dowel, Split, .676" x .44"
9	82845222		1 CYLINDER HEAD GASKET Gasket, Head, .037" (.940mm), 340A, 340B, 445, 540

340-3 CYL UTILITY TRACTOR 340A-3 CYL UTILITY TRACTOR 340B-3 CYL UTILITY TRACTOR 445-3 CYL UTILITY TRACTOR 445A-3 CYL TRACTOR LOADER 540-3 CYL TRACTOR LOADER 540A-3 CYL TRACTOR LOADER 540B-3 CYL TRACTOR LOADER BACKHOE 545-3 CYL TRACTOR LOADER 545A-3 CYL TRACTOR LOADER 745-SERIES-INDUSTRIAL LOADER

CYLINDER BLOCK, HEAD & RELATED PARTS, GASOLINE



CYLINDER BLOCK, HEAD & RELATED PARTS, GASOLINE

REF FN	PART NUMBER	YR/SN	QTY DESCRIPTION
9	87801653		1 CYLINDER HEAD GASKET 1.8mm Thk Gasket, Head
10	D3NN6C052A		1 COVER
10	D5NN6C052A		1 COVER Cab
11	80681		2 LOCK WASHER 5/16" Washer, Lock, 5/16"
12	87657		2 BOLT Hex, 5/16" - 18 x 1 1/4", Gr 5
13	83957025		2 PLUG 1.75" (44.5mm)
13	83957023		2 PLUG 1-1/2" (38.0mm)
13	83957024		AR CUP PLUG 1.57" PLUG, CUP, (39.6mm) 1.57"
14	502046		1 PLUG Pipe, 1/8"-27
15	80781		2 PLUG 3/8" - 18 NPT Pipe, , Drain Sq Hd, 3/8"-18
16	81808472		2 DOWEL Pin, Dowel, 3/8" x 1-1/8"
17	378336S36		2 PLUG Cup
18	379548S		8/10 BOLT 9/16"-12 x 4.45"
19	87800499		4/5 CAMSHAFT BEARING Bearing, Camshaft, Front, 60.88mm (2.397") ID
19A	C5NN6055A		3 SLEEVE 4-13/64" Bore
19A	D7NN6055A		3/4 LINER, ENGINE CYLIND Sleeve, 4-27/64" Bore
19A	1 D0NN6055A		AR SLEEVE
20	81465471		1 DRAINCOCK/TAP SUPPLY Draincock
21	86584393		1 TUBE 0.38" OD x 4.46" L 4-15/32"
22	87801534		1 DIPSTICK Indicator
23	D9NN6059BA		1 COVER
24	83907851		1 FILLER CAP Cap, Oil Fill Tube
25	83959876		1 GASKET 0.89mm Thk
26	E5NN6C044BA		1 PLATE Front Cover
27	E6NN6C045BA		1 GASKET
28	88346		2 BOLT Hex, 5/16" - 18 x 2 1/2", Gr 5
28	378339S36		12 SCREW Hex, 5/16" - 18 x 2.12" Cap, HH, 5/16"-18 x 2-1/8"
29	88346		1 BOLT Hex, 5/16" - 18 x 2 1/2", Gr 5
30	45964S36		4 SCREW Cap, HH, G5, Self-Locking, 5/16"-18 x 3/4"
31	E5NN6A373AB		1 PLATE
31	E6NN6A373BA		1 PLATE Torque Converter

(1) Use with blocks rebored to 4.4" (111.76mm)

340-3 CYL UTILITY TRACTOR 340A-3 CYL UTILITY TRACTOR 340B-3 CYL UTILITY TRACTOR 445-3 CYL UTILITY TRACTOR 445A-3 CYL TRACTOR LOADER 540-3 CYL TRACTOR LOADER 540A-3 CYL TRACTOR LOADER 540B-3 CYL TRACTOR LOADER BACKHOE 545-3 CYL TRACTOR LOADER 545A-3 CYL TRACTOR LOADER 745-SERIES-INDUSTRIAL LOADER

**Thanks very much for your reading,
Want to get more information,
Please click here, Then get the complete
manual**

JustClickHere 

NOTE:

**If there is no response to click on the link above,
please download the PDF document first, and then
click on it.**

**Have any questions please write to me:
admin@servicemanualperfect.com**